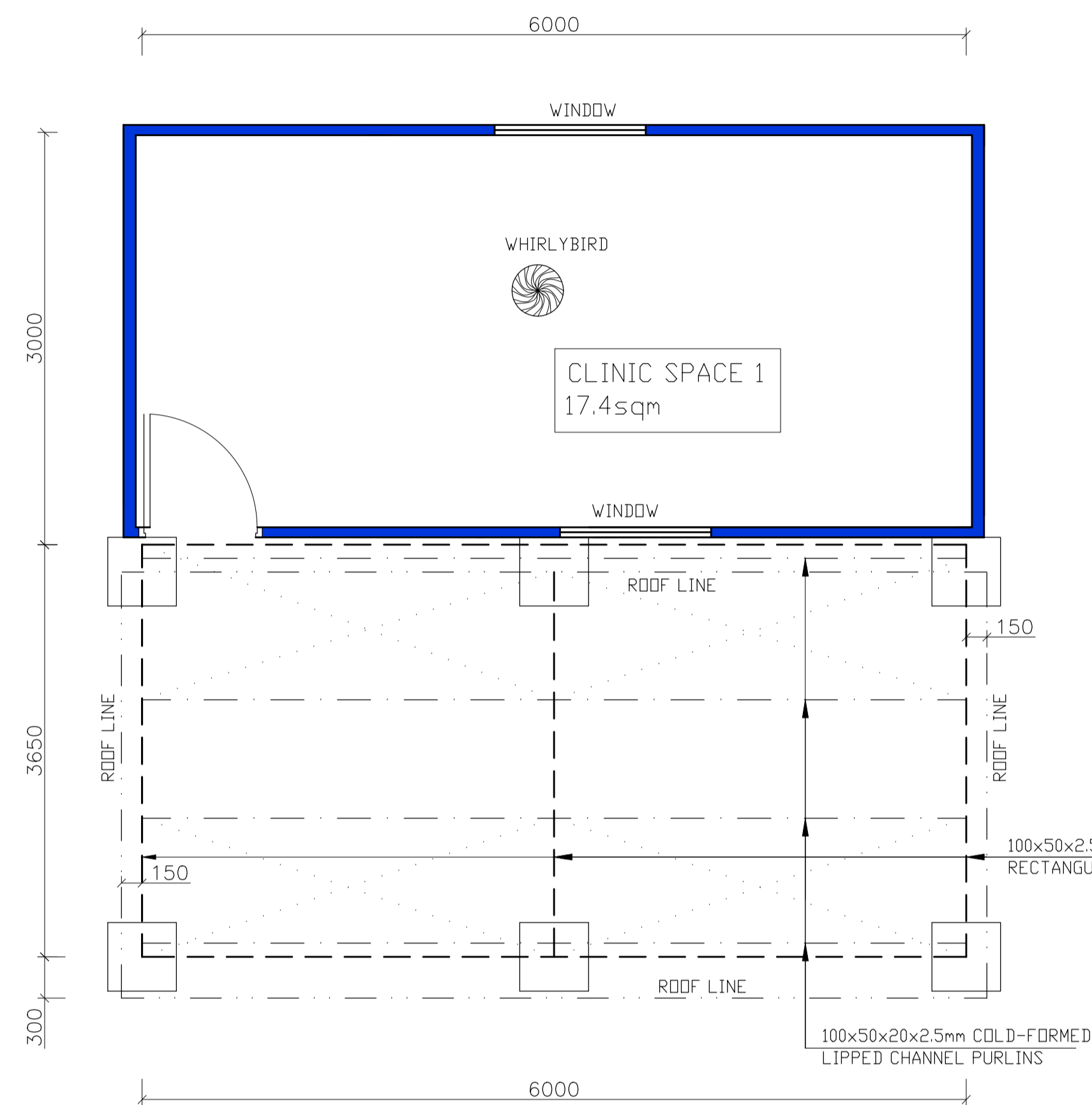


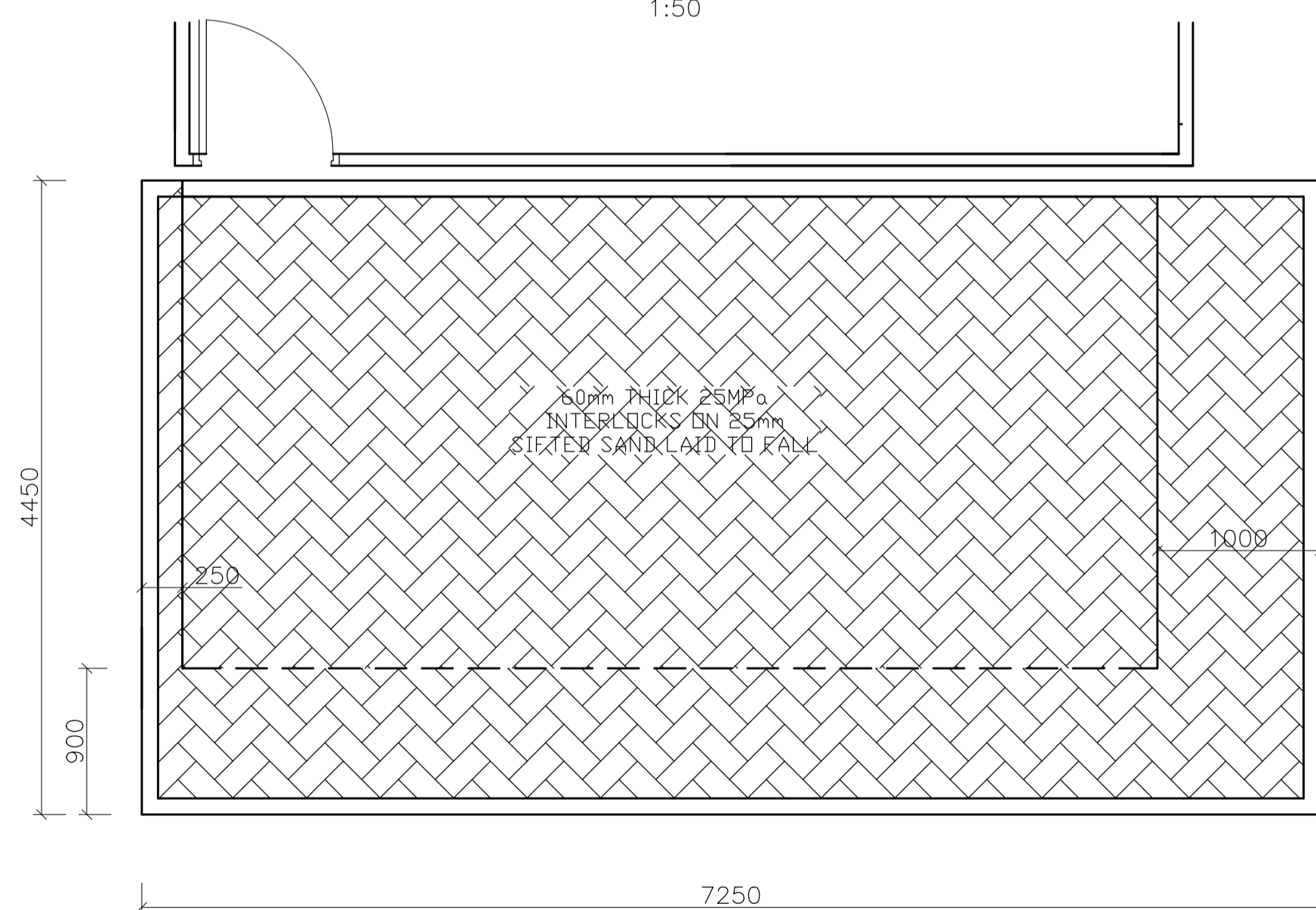
ALL DIMENSIONS ARE TO BE VERIFIED BY THE CONTRACTOR BEFORE COMMENCING WITH ANY CONSTRUCTION WORK.  
THE ARCHITECTS ARE TO BE NOTIFIED IMMEDIATELY WHERE AMBIGUITIES AND DISCREPANCIES OCCUR ON THE DRAWINGS.  
COPYRIGHT RESERVED

NOTES:

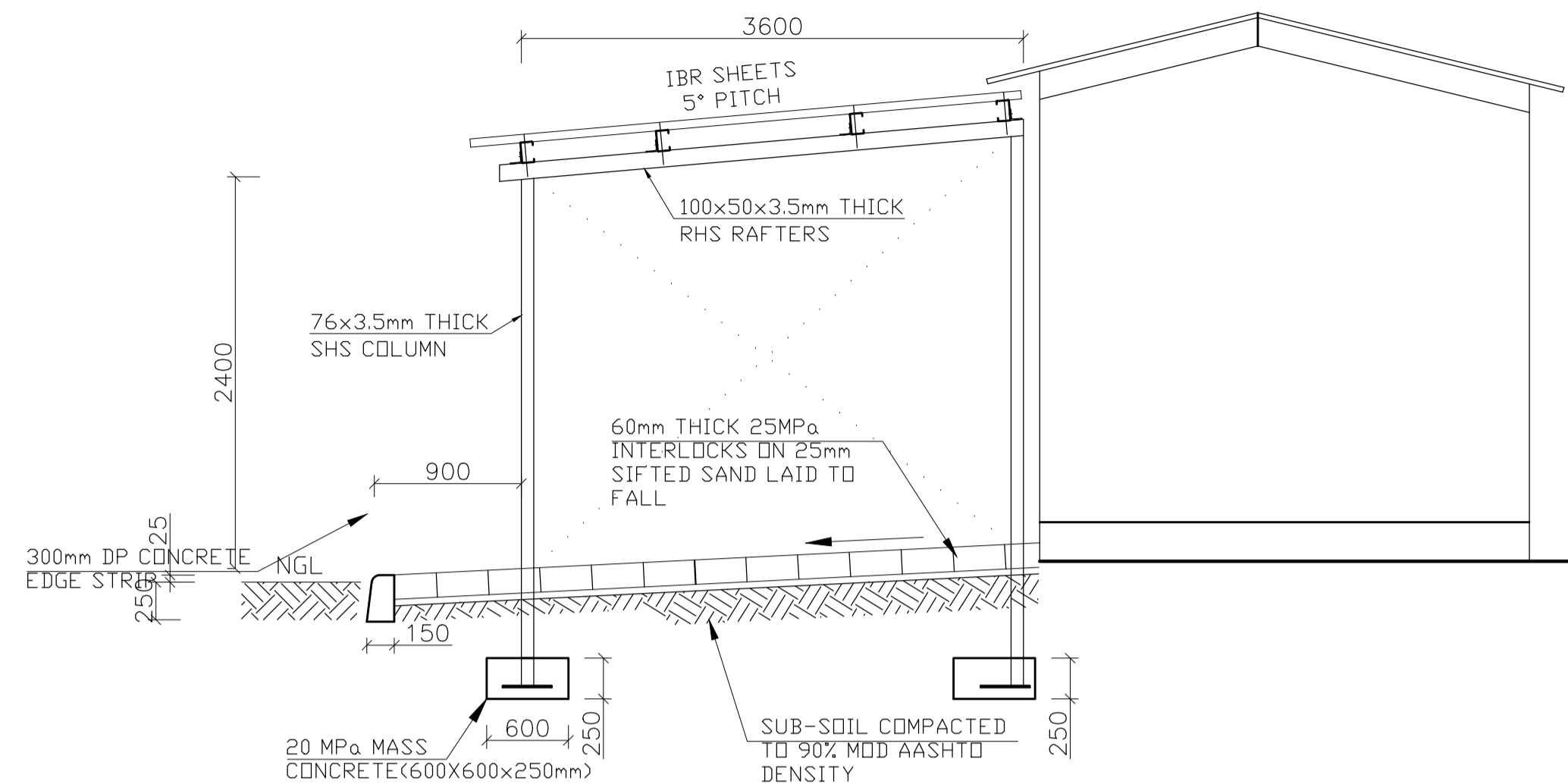
NOTE: ALL DIMENSIONS ON TRUSS ELEVATIONS MEASURED BETWEEN INTERSECTIONS OF MEMBER "CENTROIDAL AXES"



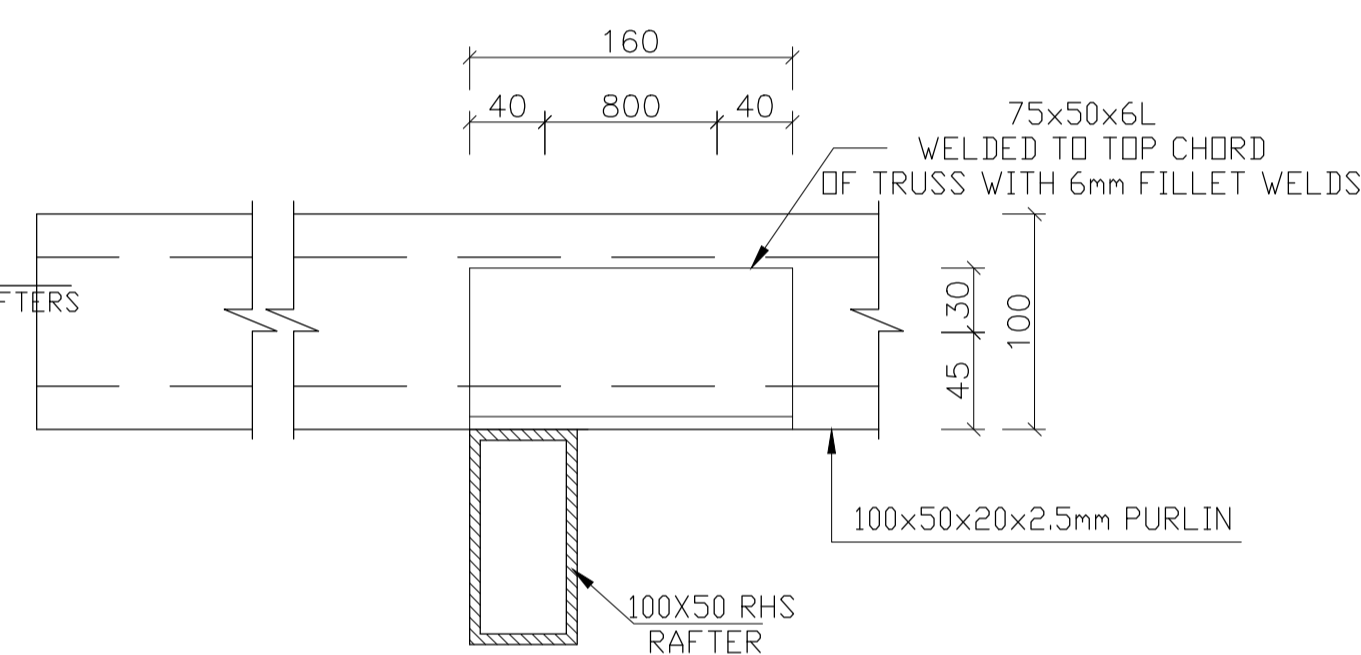
ROOF LAYOUT  
1:50



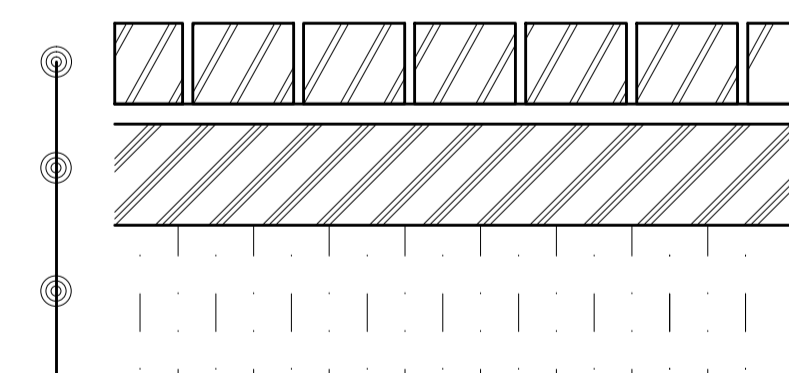
SURFACEBED LAYOUT  
1:50



SECTION A-A



PURLIN CLEAT FIXING END  
1:5



SURFACING: 60 mm TYPE S-C BRICK PAVING BLOCKS (COLOUR: RED), (CRUSHING STRENGTH= 35 MPa) LAID ON 20 mm SAND BEDDING TO HERRINGBONE PATTERN

SUBBASE: 100 mm THICK IMPORTED GRAVEL COMPACTED TO 98% MDD AASHTO DENSITY (MIN CBR= 25 @ 98% MDD AASHTO)

FILL: 100mm THICK LAYERS (WHERE REQUIRED) OF NATURAL GRAVEL COMPACTED TO 95% MDD AASHTO DENSITY (MIN CBR= 15 @ 95% MDD AASHTO)

ROADBED: 100 mm THICK IN SITU GRAVEL COMPACTED TO 93% MDD AASHTO DENSITY

LEGEND	
---	TRUSS CENTRE LINE
---	100x50x20x2.5 LIPPED CHANNEL PURLIN
---	160 ROD AS HORIZONTAL BRACING
---	ROOF OUTLINE
---	KNEE BRACING

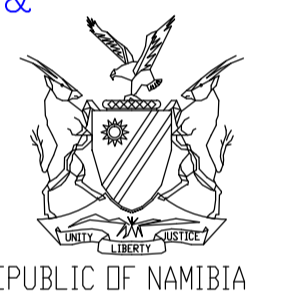
STRUCTURAL STEEL NOTES :

- ALL STEELWORK TO BE FABRICATED AND ERECTED IN ACCORDANCE WITH SABS 1200 H, READ IN CONJUNCTION WITH THE PROJECT SPECIFICATION WHERE APPLICABLE.
- DESIGN OF STEELWORK TO BE TO SABS 0162 UNLESS OTHERWISE NOTED. ALL STRUCTURAL STEELWORK TO BE GRADE 300W.
- PAINTING IS TO BE IN STRICT ACCORDANCE WITH THE PROJECT SPECIFICATION. THE PAINT SYSTEM SHALL BE AS SUPPLIED BY ONE APPROVED MANUFACTURER AND SHALL BE APPLIED IN ACCORDANCE WITH HIS RECOMMENDATIONS.
- THE CONTRACTOR TO PREPARE AND SUBMIT TWO PRINTS OF ALL SHOP DRAWINGS TO THE ENGINEER FOR REVIEW PRIOR TO COMMENCEMENT OF FABRICATION.
- DIMENSIONS AND LEVELS OF EXISTING STRUCTURES/EQUIPMENT TO BE VERIFIED BY THE CONTRACTOR PRIOR TO COMMENCEMENT OF FABRICATION.
- CONTRACTOR IS RESPONSIBLE FOR DESIGN OF ALL CONNECTIONS. ALL CONNECTIONS MUST EXCEED THE LOAD CAPACITY OF THE MEMBERS CONNECTED UNLESS NOTED OTHERWISE.
- CONTRACTOR IS RESPONSIBLE FOR DETERMINING ERECTION AND FOR STABILITY DURING CONSTRUCTION SEQUENCE.
- SITE CONNECTIONS TO BE BOLTED UNLESS OTHERWISE APPROVED.
- ALL GUSSET PLATES TO BE 8mm THICK AND MUST HAVE MINIMUM WELD LENGTH OF 75mm ON TO ANGLES.
- ALL WELDS TO BE 6mm CONTINUOUS FILLET WELDS UNLESS OTHERWISE SPECIFIED.

REVISIONS	DATE	ARCHITECT'S SIGNATURE	APPROVAL

MINISTRY OF HEALTH & SOCIAL SERVICES

CDC/MOHSS



CLIENT'S SIGNATURE: DATE:

COPYRIGHT RESERVED

PROJECT TITLE:  
MINISTRY OF HEALTH & SOCIAL SERVICES

CDC/MOHSS

MINOR ENGINEERING MODIFICATIONS

PROPOSED CLINIC SPACE  
KHOMAS REGION

DRAWING TITLE

MAXWILILI DOT

FLOOR LAYOUT AND DETAILS

SCALE:	DRAWN:	CHECKED:	DATE:
AS SHOWN	JT FILLEMON		SEPT 2016

ARCHITECT RENOVATIONS COORDINATOR	PRINTED:
MohSS	

PROJECT NO.:	DWG. NO.:	REVISION: