

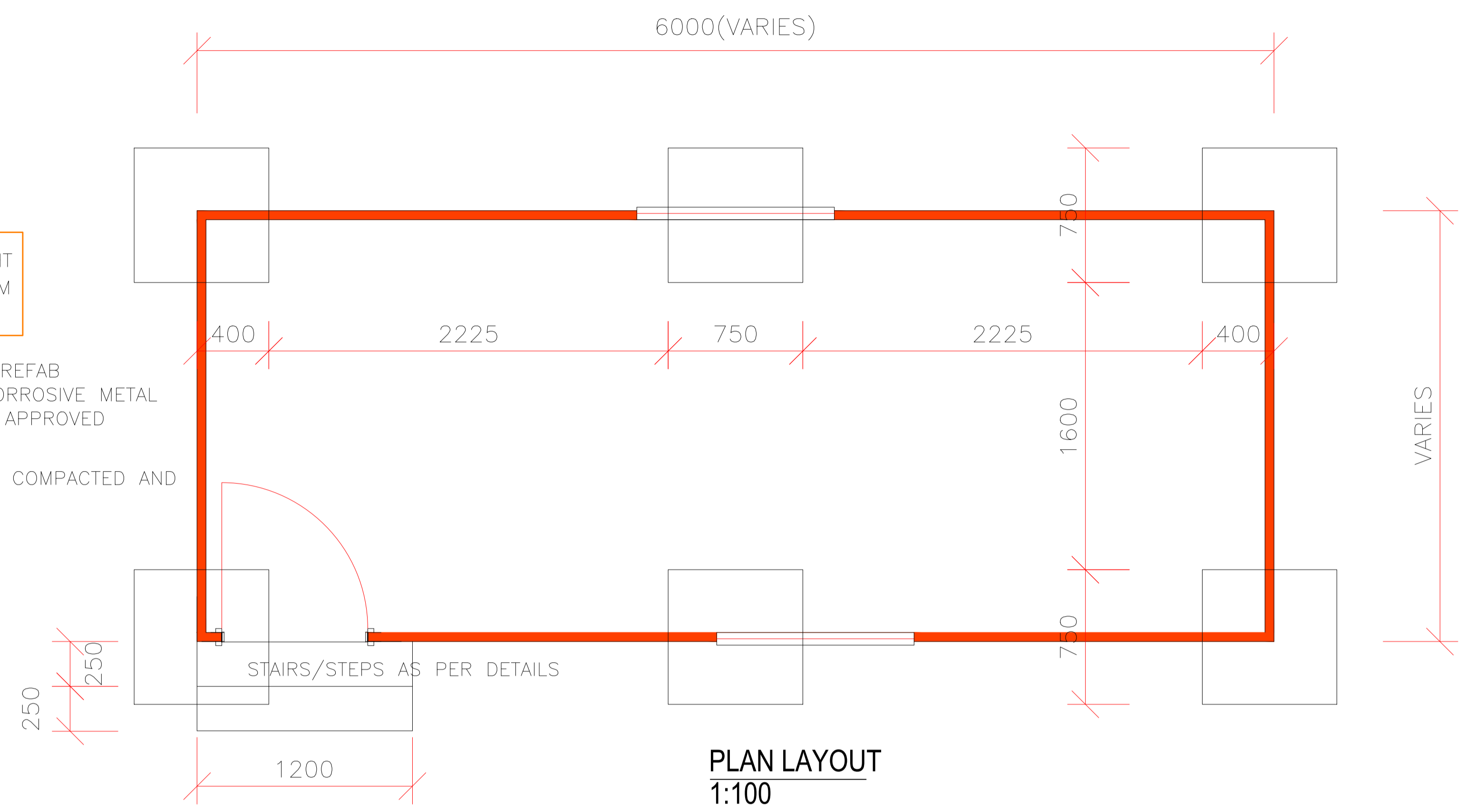
ALL DIMENSIONS ARE TO BE VERIFIED BY THE CONTRACTOR BEFORE COMMENCING WITH ANY CONSTRUCTION WORK.
 THE ARCHITECTS ARE TO BE NOTIFIED IMMEDIATELY WHERE AMBIGUITIES AND DISCREPANCIES OCCUR ON THE DRAWINGS.
 COPYRIGHT RESERVED

NOTES:

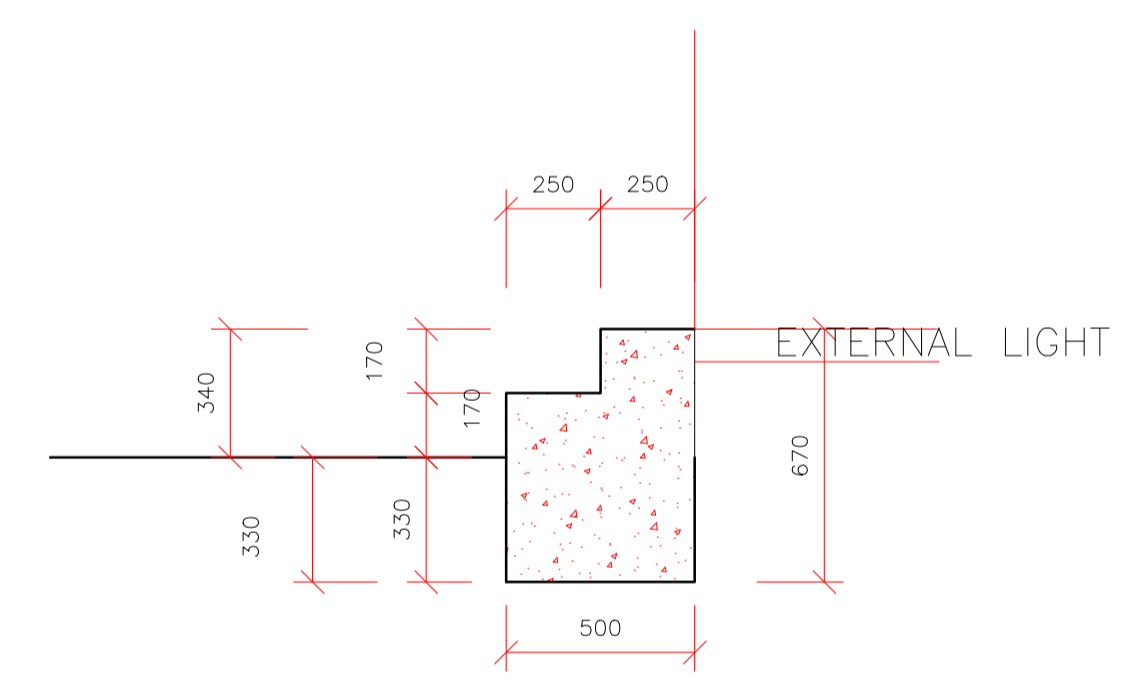
NUMBER OF COLLUMNS AND HEIGHT FROM GROUND LEVEL VARIES FROM SITE TO SITE

SPACE BETWEEN THE GROUND AND PREFAB FLOOR TO BE FILLED UP BY NON-CORROSIVE METAL PRECAST, PLATES OR SIMILAR TO BE APPROVED ALL ARROUND.

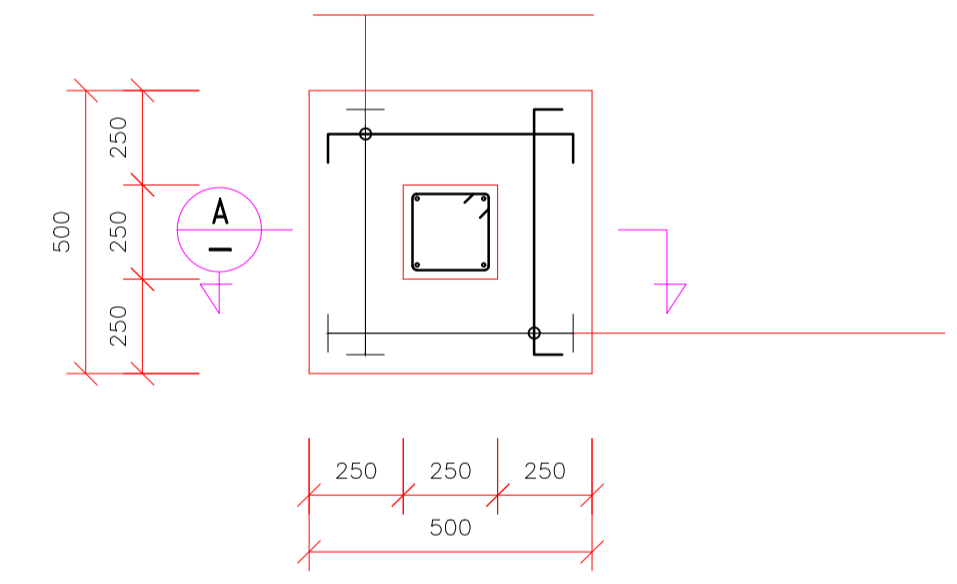
GROUND BELOW PREFAB TO BE WELL COMPACTED AND TREATED FOR WEED AND INSECTS



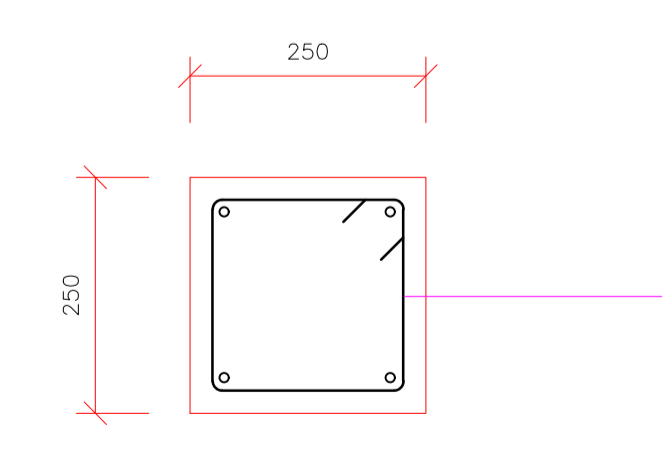
PLAN LAYOUT
1:100



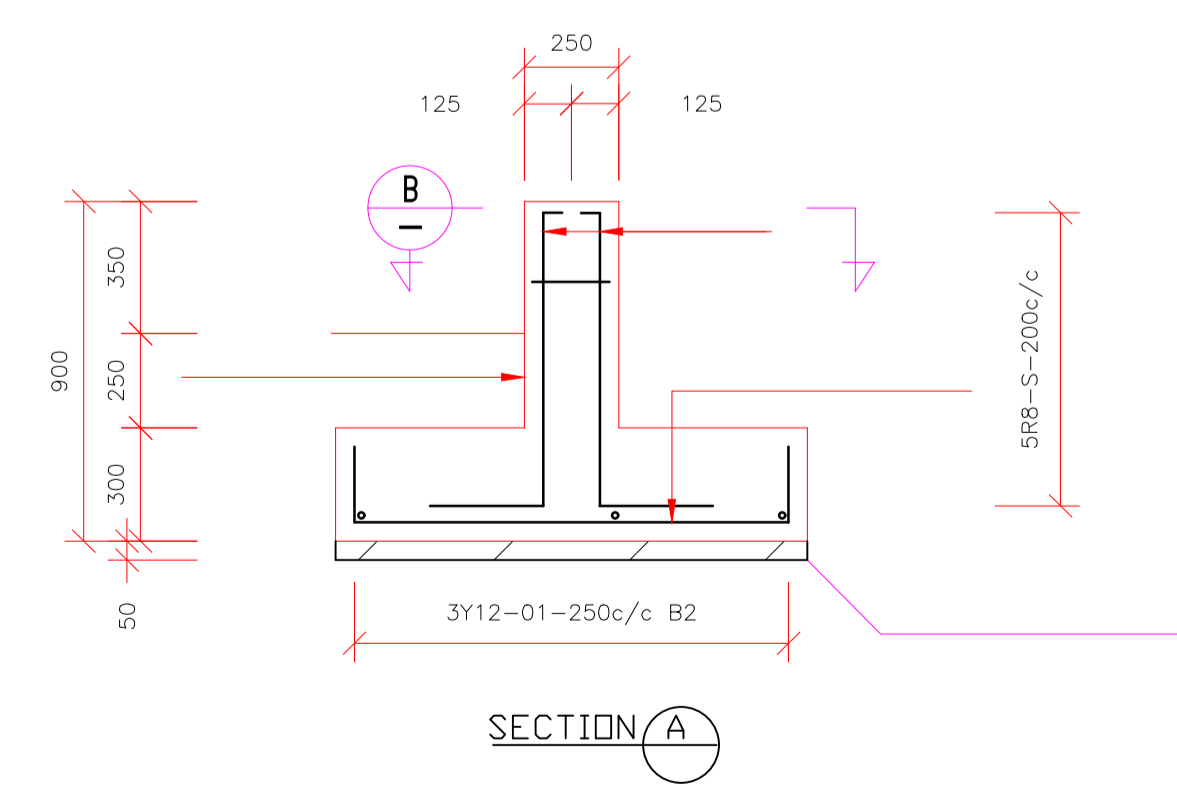
STAIRS SECTION
1:25



DETAIL OF COLUMN BASE



SECTION B



SECTION A

STRUCTURAL STEEL NOTES :

- 1) ALL STEELWORK TO BE FABRICATED AND ERECTED IN ACCORDANCE WITH SABS 1200 H, READ IN CONJUNCTION WITH THE PROJECT SPECIFICATION WHERE APPLICABLE.
- 2) DESIGN OF STEELWORK TO BE TO SABS 0162 UNLESS OTHERWISE NOTED. ALL STRUCTURAL STEELWORK TO BE GRADE 300W.
- 3) PAINTING IS TO BE IN STRICT ACCORDANCE WITH THE PROJECT SPECIFICATION. THE PAINT SYSTEM SHALL BE AS SUPPLIED BY ONE APPROVED MANUFACTURER AND SHALL BE APPLIED IN ACCORDANCE WITH HIS RECOMMENDATIONS.
- 4) THE CONTRACTOR TO PREPARE AND SUBMIT TWO PRINTS OF ALL SHOP DRAWINGS TO THE ENGINEER FOR REVIEW PRIOR TO COMMENCEMENT OF FABRICATION.
- 5) DIMENSIONS AND LEVELS OF EXISTING STRUCTURES/EQUIPMENT TO BE VERIFIED BY THE CONTRACTOR PRIOR TO COMMENCEMENT OF FABRICATION.
- 6) CONTRACTOR IS RESPONSIBLE FOR DESIGN OF ALL CONNECTIONS. ALL CONNECTIONS MUST EXCEED THE LOAD CAPACITY OF THE MEMBERS CONNECTED UNLESS NOTED OTHERWISE.
- 7) CONTRACTOR IS RESPONSIBLE FOR DETERMINING ERECTION AND FOR STABILITY DURING CONSTRUCTION SEQUENCE.
- 8) SITE CONNECTIONS TO BE BOLTED UNLESS OTHERWISE APPROVED.
- 9) ALL GUSSET PLATES TO BE 8mm THICK AND MUST HAVE MINIMUM WELD LENGTH OF 75mm ONTO ANGLES.
- 10) ALL WELDS TO BE 6mm CONTINUOUS FILLET WELDS UNLESS OTHERWISE SPECIFIED.

REVISIONS	DATE	ARCHITECT'S SIGNATURE	APPROVAL

MINISTRY OF HEALTH & SOCIAL SERVICES
 DSP

 REPUBLIC OF NAMIBIA

CLIENT'S SIGNATURE: _____ DATE: _____
 COPYRIGHT RESERVED

MODULAR PREFABRICATED CLINIC SPACE

PROJECT TITLE:
 MINISTRY OF HEALTH & SOCIAL SERVICES

MINOR ENGINEERING MODIFICATIONS
 PROPOSED CLINIC SPACE

DRAWING TITLE
 CLINIC SPACE – 3 ROOM
 MOBILE PREFAB CLINIC SPACE

COLUMNS DETAILS

SCALE: AS SHOWN	DRAWN: JT FILLEMOR	CHECKED: ALLAN	DATE: JUNE 2020
ARCHITECT RENOVATIONS COORDINATOR MoHSS			ACAD: PRINTED:
PROJECT NO.:	DWG. NO.:	REVISION:	